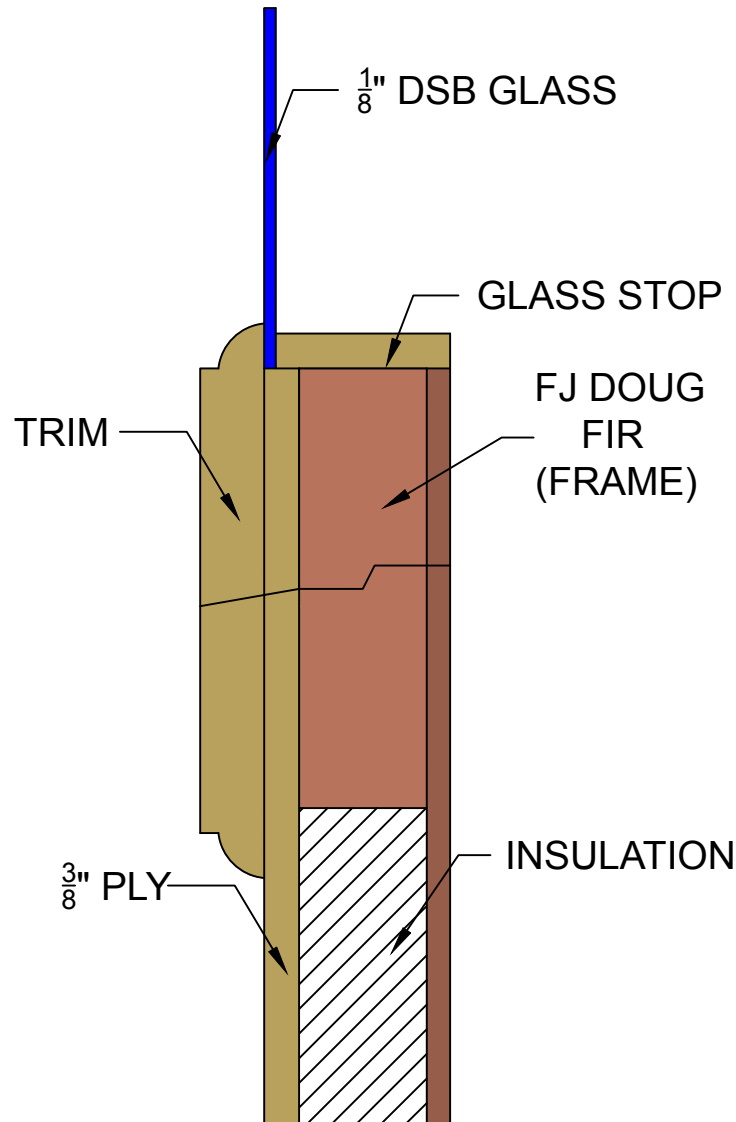


# FULL CUSTOM 4 LAYER DIAGRAM



## Paint Grade (primed white)

Back (layer 1):  $\frac{1}{4}$ " Luan

Frame (layer 2): 1- $\frac{3}{8}$ " FJ(Finger Joint) Hem Fir (stiles every 24")

Insulation: 1- $\frac{3}{8}$ " Polystyrene

Face (layer 3):  $\frac{3}{8}$ " Baltic Birch recessed available with or without V-Grooves.

Trim (layer 4):  $\frac{1}{2}$ " Extira MDF

## Stain Grade (unfinished)

Back (layer 1):  $\frac{1}{4}$ " Luan

Frame (layer 2): 1- $\frac{3}{8}$ " FJ(Finger Joint) Hem Fir (stiles every 24")

Insulation: 1- $\frac{3}{8}$ " Polystyrene

Face (layer 3):  $\frac{3}{8}$ " Aquatek Marine Ply recessed available with or without V-Grooves.

Trim (layer 4):  $\frac{11}{16}$ " Clear Superior Alder